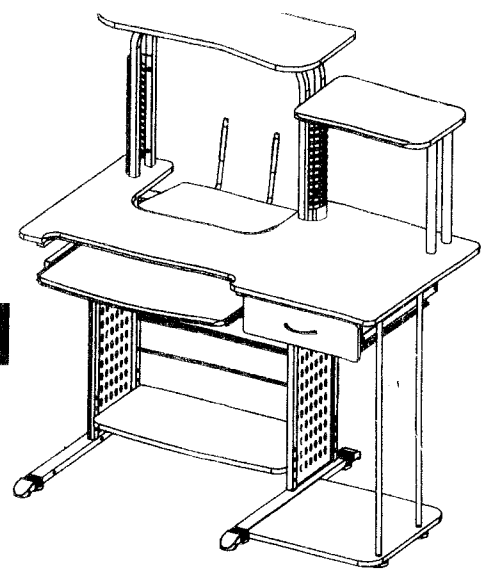


LEDA

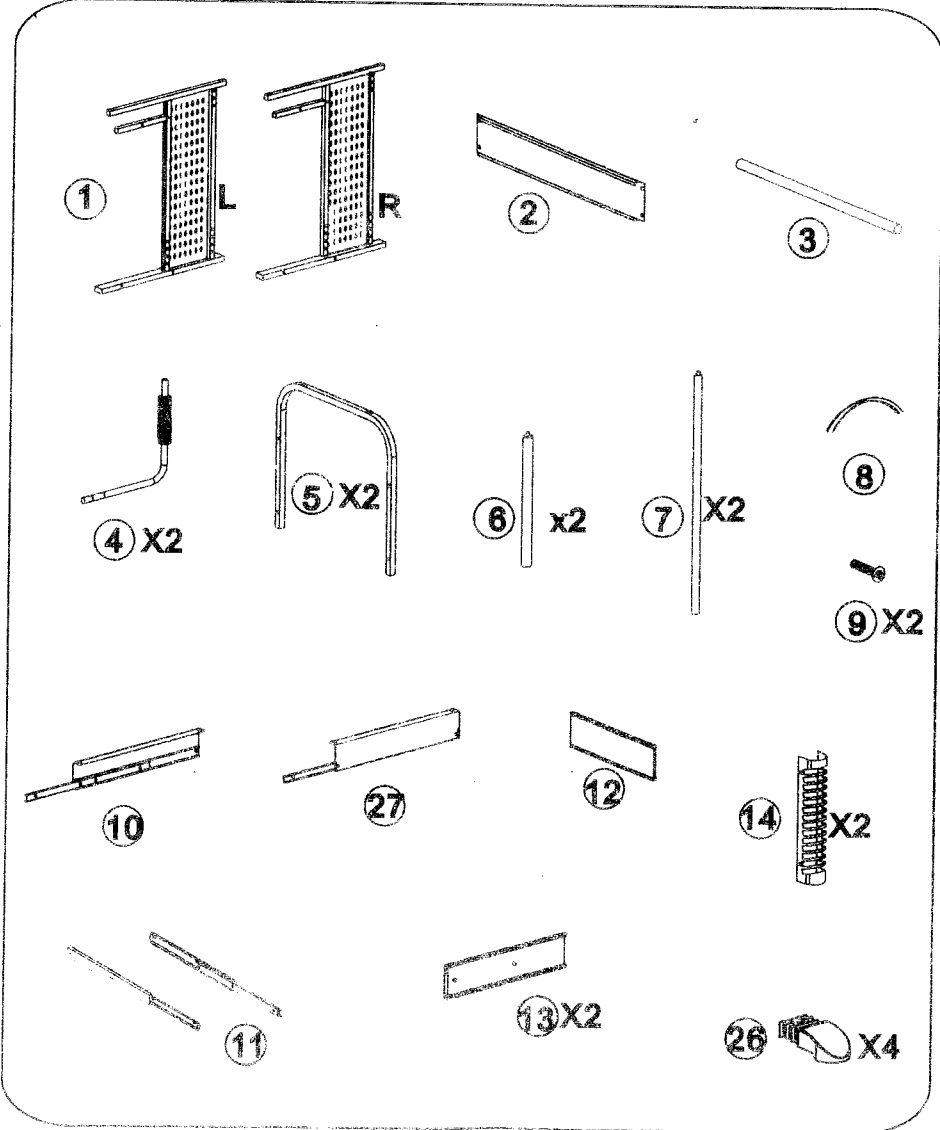
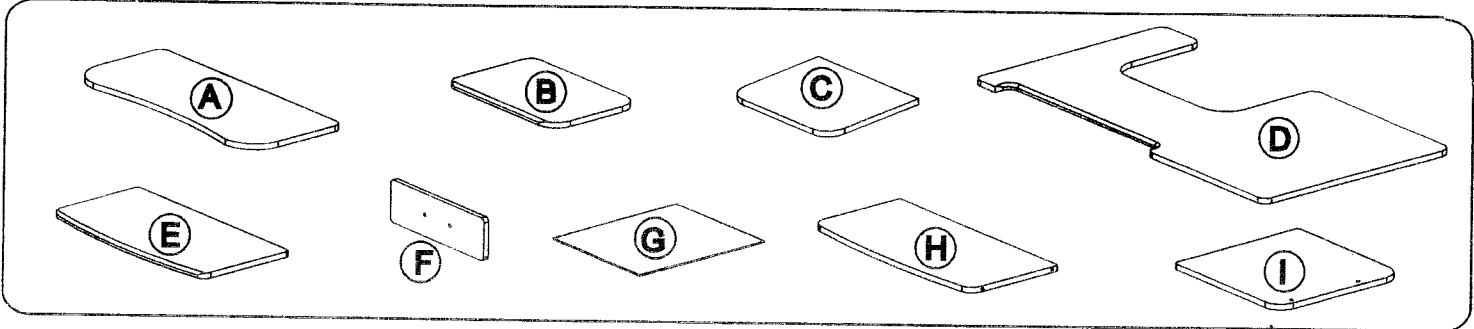
Home Furnishing Corporation



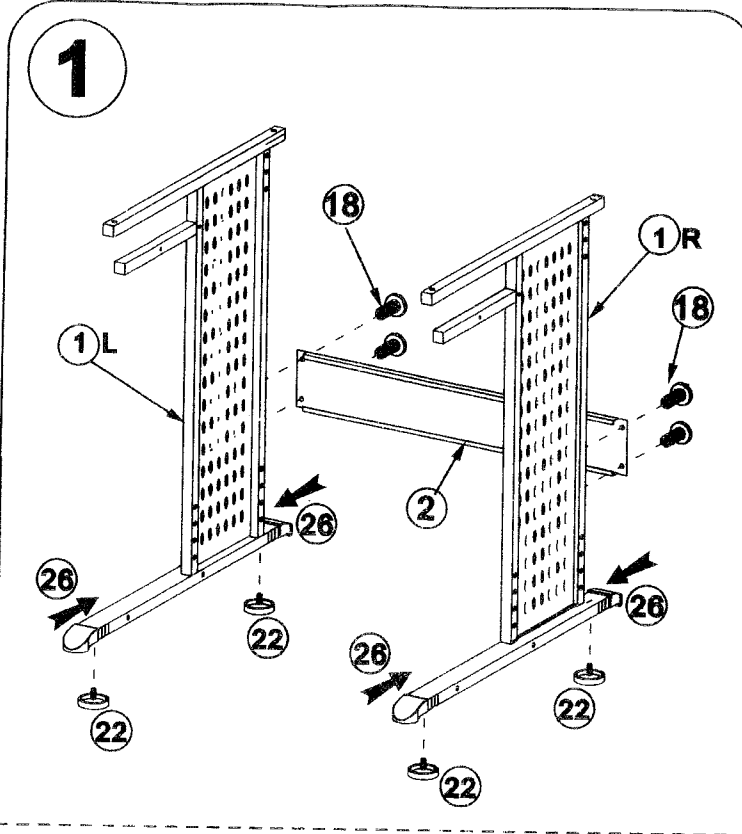
Instructions / Instrucciones / Mode d'emploi

DL-082SD Computer Desk
DL-082SD Escritorio Para Computadora

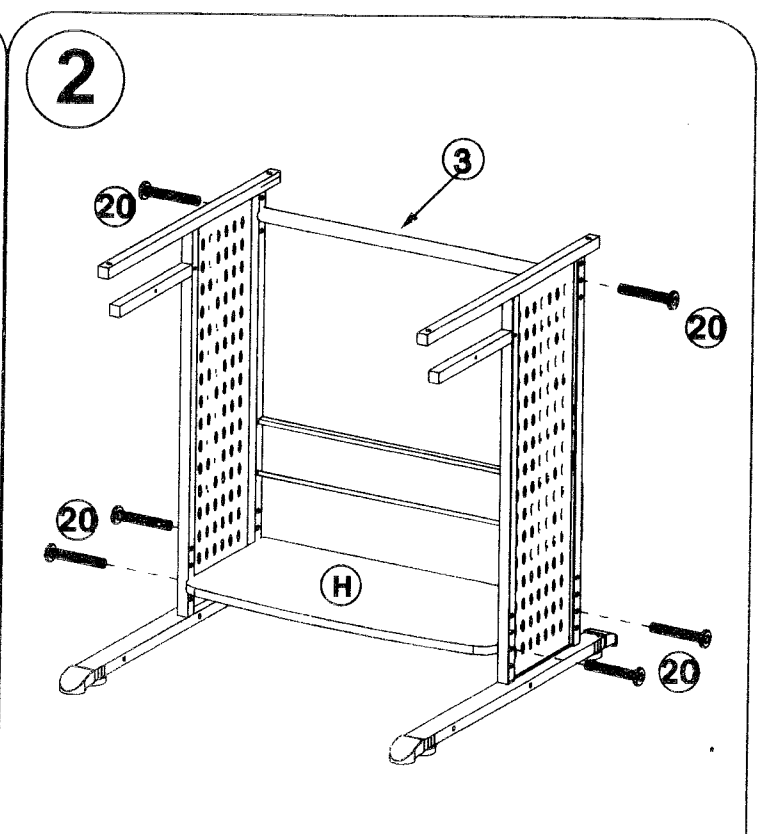
Do not tighten bolts completely until desk is fully assembled.
Por favor apretar los tornillos hasta que haya ensamblado el escritorio completamente.



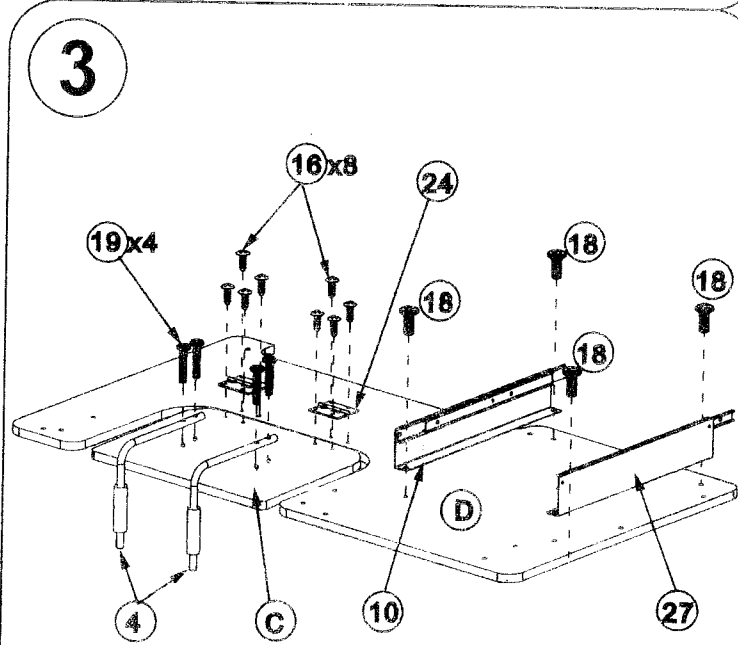
- 15 M4x10m/m(x12)
- 16 4.0x13m/m(x8)
- 18 1/4"x13m/m(x20)
- 19 1/4"x30m/m(x14)
- 20 1/4"x38m/m(x12)
- 21 1/4"x60m/m(x2)
- 22 X4
- 23 X2
- 24 X2
- 25
- 26 X4
- 1 L
- 1 R
- 2
- 3
- 4 X2
- 5 X2
- 6 X2
- 7 X2
- 8
- 9 X2
- 10
- 11
- 12
- 13 X2
- 14 X2
- 27



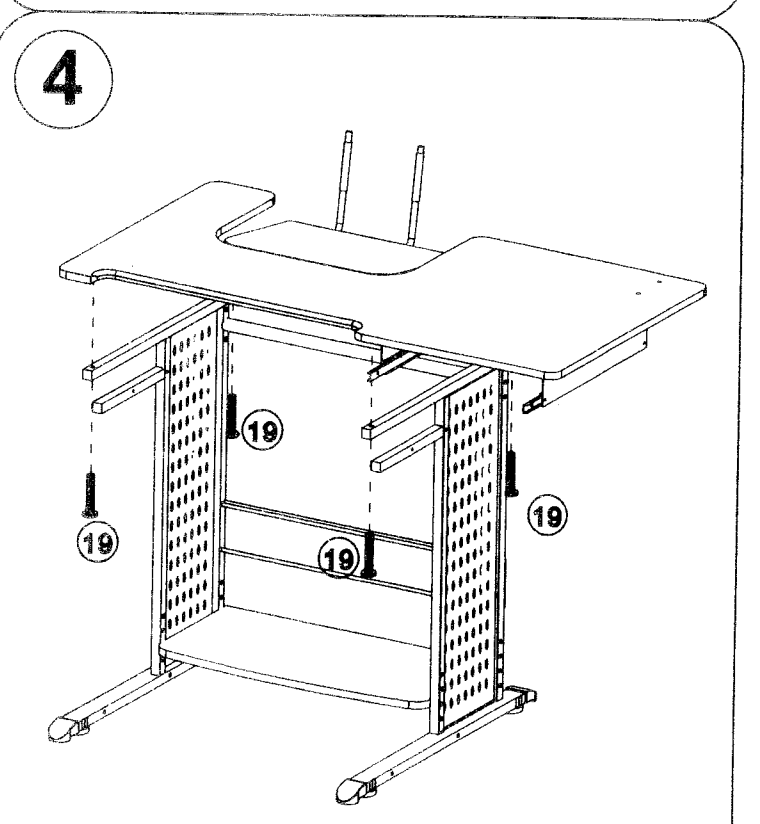
18 x4 / 22 x4 / 26 x4



20 x6

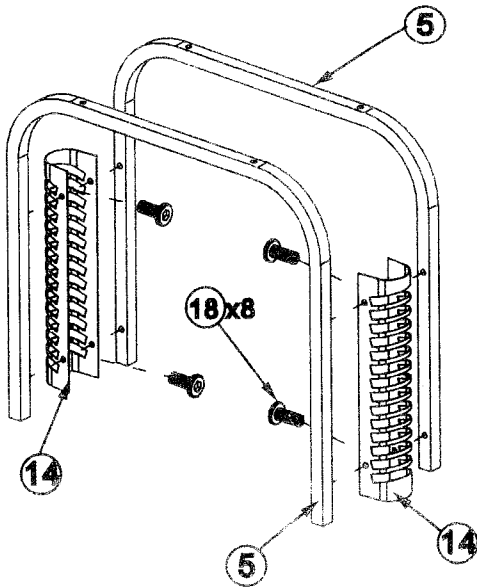


19 x4 / 18 x4 / 16 x8 / 24 x2



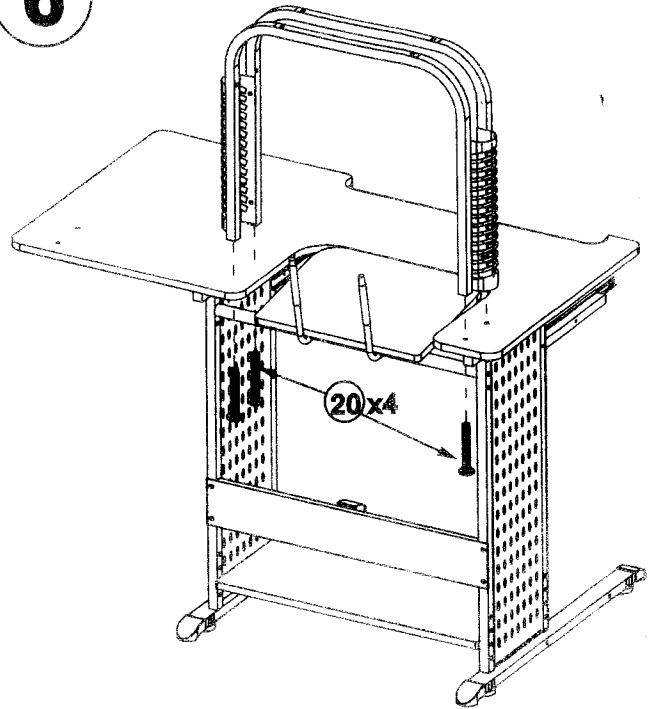
19 x4

5



18x8

6



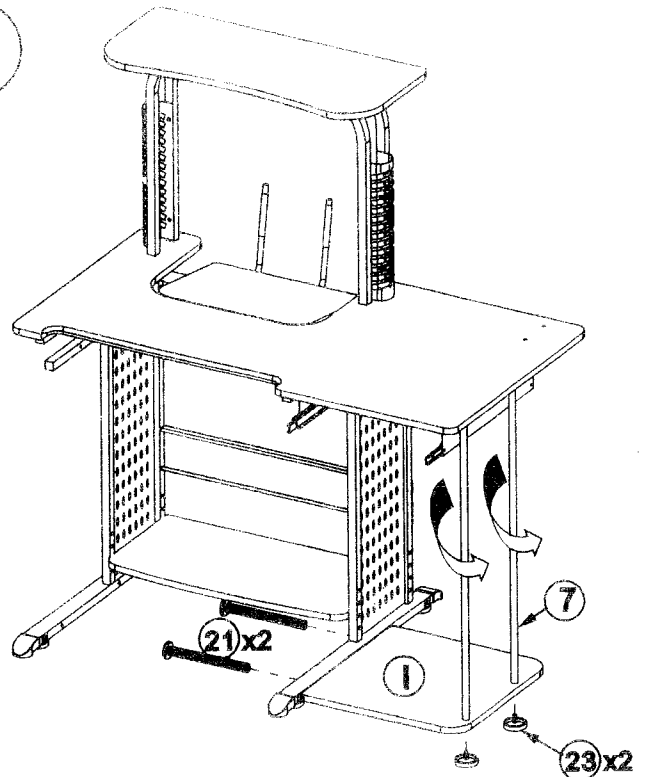
20x4

7

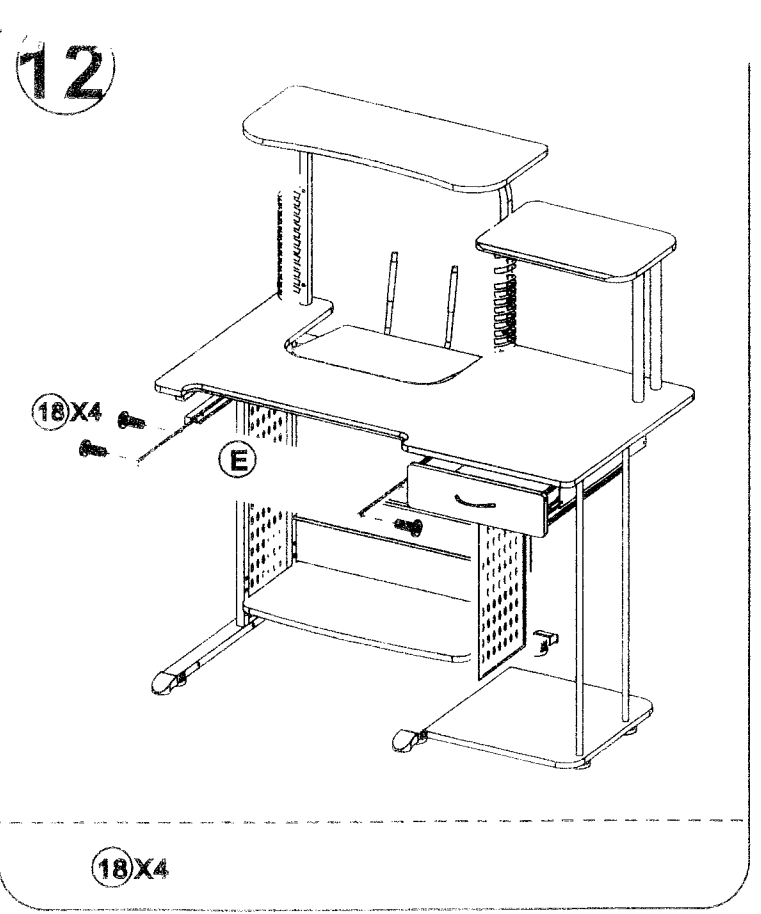
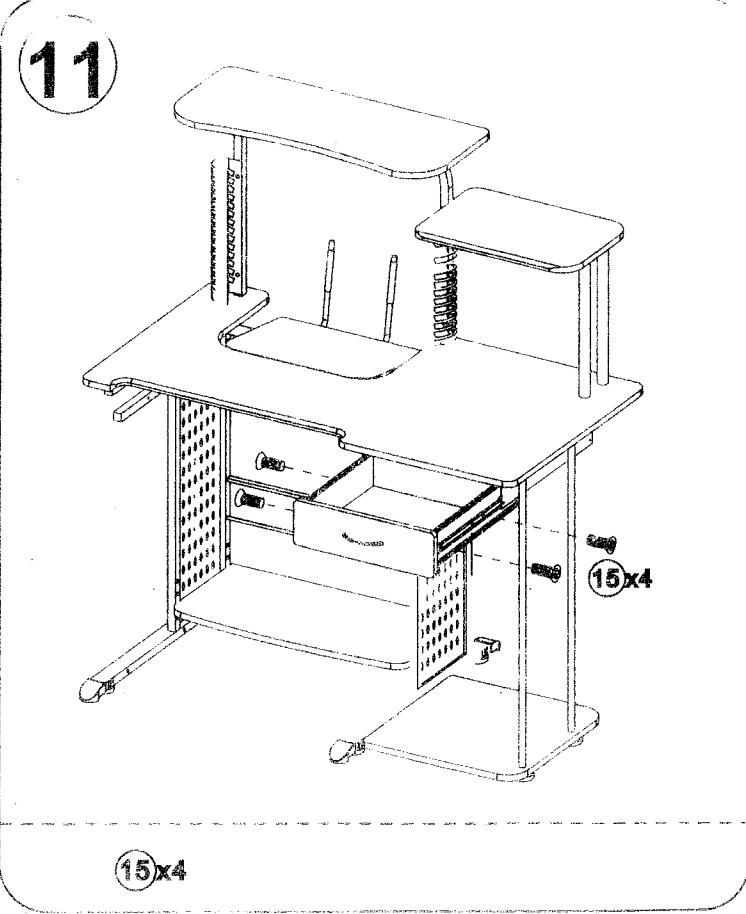
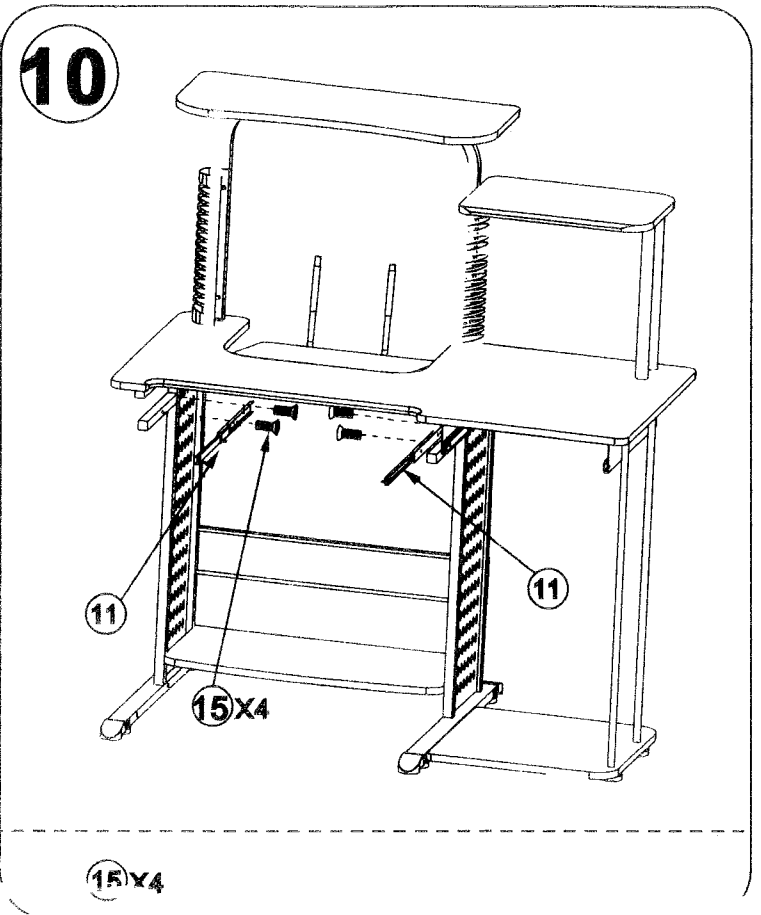
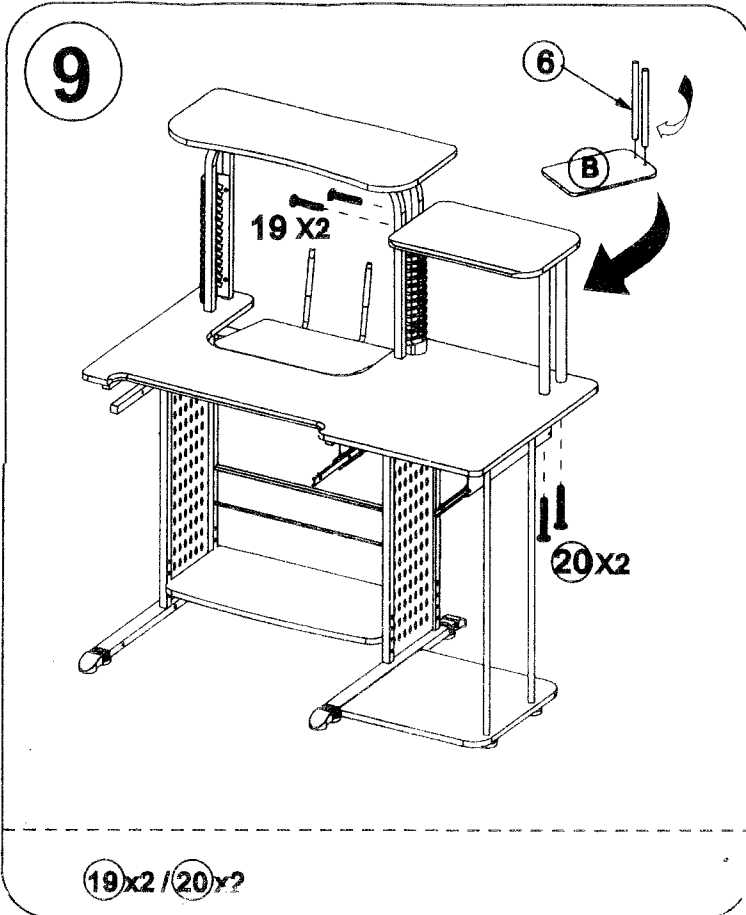


19x4

8



21x2 / 23x2



ADDITIONAL GUIDE TO ORIGINAL INSTRUCTION

Figure 1

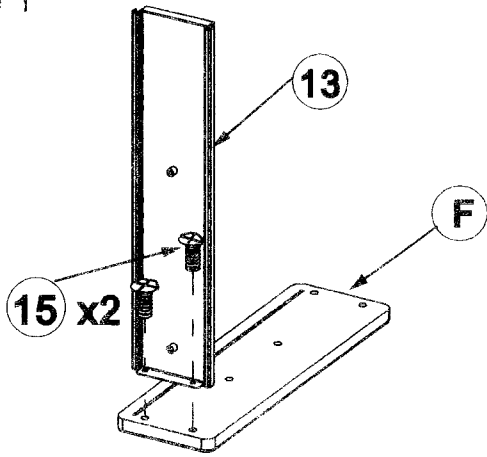


Figure 2

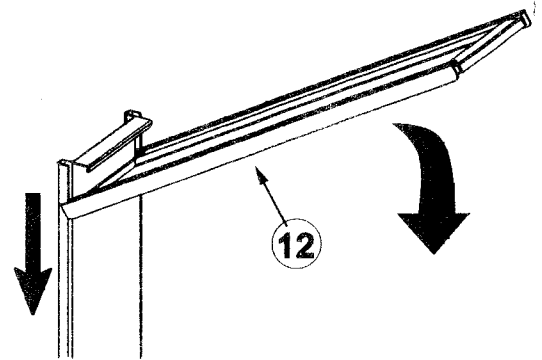


Figure 3

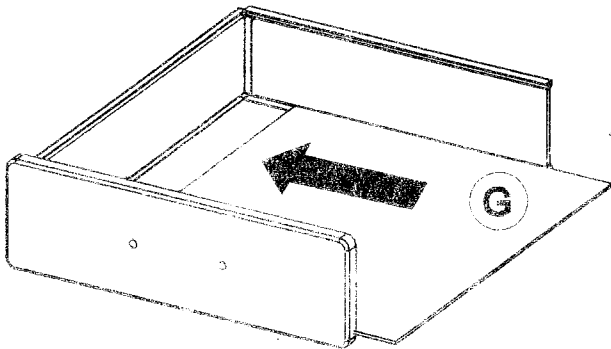


Figure 4

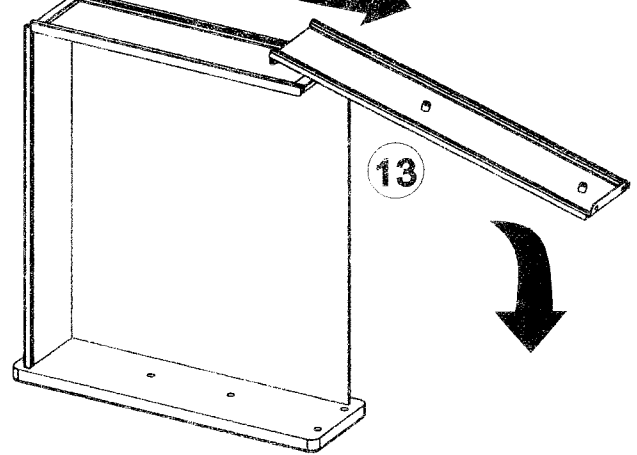


Figure 5

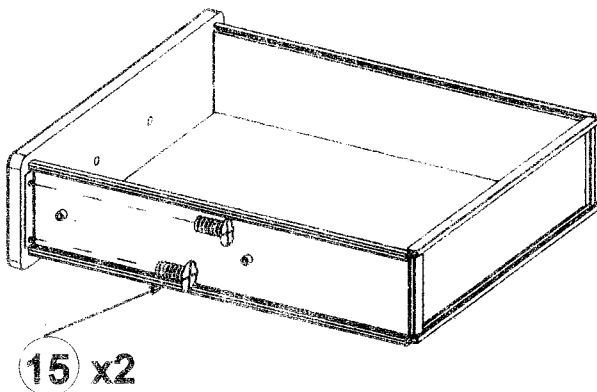
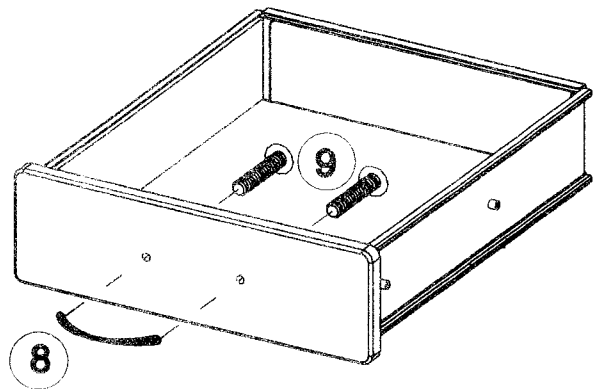


Figure 6



15 x 4

The Chart Of Actual Screw Size

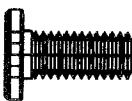
15



16



18



19



20



21

